

# KGK JET CCS7000 NEW



AIR SCUDO

Industrial Inkjet Printer  
Newly developed AIR SCUDO system reduces maintenance operation significantly.

-  Compact head
-  AI Less than 1mm OK
-  Touch panel
-  Dedicated machine 1 head
-  INK Pigment OK
-  MAX x16 Multi-control OK

Catalog No.7265E

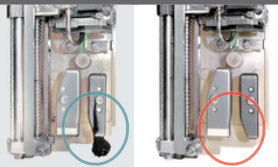
<http://www.kishugiken.co.jp>



### AIR SCUDO

NEW

Airflow control the jetting of ink droplets.



150,000 print cycles without air scoops

With air scoops: 3,000,000 prints

Airflow is created in the head, reducing ink drop drying by 25%. It also reduces ink mist generation and reduces ink bounce in the head. The need for head cleaning maintenance is significantly reduced.

### Screw Bottle



Prevents exposure and leaking when refilling ink and solvents.

### Intuitive UI

NEW



Easy-to-understand display and smooth touch screen for intuitive operation.

### Other features

- High-speed printing up to **3666 characters/second**
- **IP66** CE, and RoHS compliant
- Simultaneous connection of up to 16 units
- Maintenance screen supports maintenance procedures
- Built-in microblower eliminates the need for an air source
- Built-in air purge mechanism (inside the head)
- Built-in head heater (for cold climates)
- Easy replacement of pump diaphragm membrane
- **Equipped with an ink leak sensor** for peace of mind
- **Built-in UPS function** (optional) for safe shutdown in case of power failure

### Optional goods

- Stand
- Controller table
- Photoelectric sensor
- Encoder
- Built-in UPS function
- External UPS
- Signal lights
- High-level communication

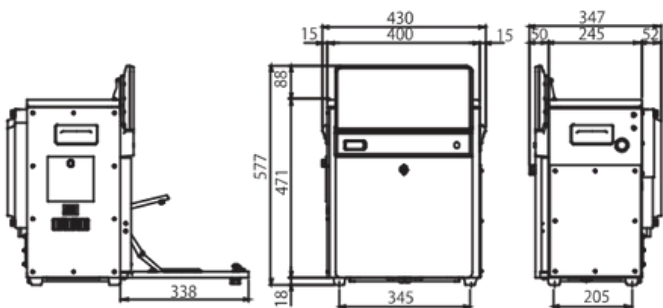


## ● specification

Model	CC S70 0 0
Printing method	Continuous inkjet printing (Charge control method)
Compatible ink	Dye and pigment inks
Dustproof and waterproof	IP66 (excluding head)
RoHS	RoHS compliant
Screen size	10.1 inch color LCD / Touch panel
Supported nozzle	40 μm / 50 μm / 60 μm
Character height	0.8 to 5 mm (40 μm nozzle), 1 to 10 mm (50 μm nozzle) 1 to 10 mm (50 μm nozzle), 2 to 1 0 mm (60 μm nozzle)
Max. printing speed [characters/sec] (5 x 5 dot font, character spacing1)	2233-3666 (depends on nozzle type and ink type)
Character types	Alphabet (upper/lower case), numbers, symbols, hiragana, katakana, kanji (JIS 1 and 2), user characters
Number of print steps and dot configuration example(H x W)	[1 to 6 columns] 5 x 5, 5 x N [1 to 4 columns] 7 x 5, 7 x 8, 7 x 8, 7 x 8, 7 x 8 7x5, 7x8, 7xN [1-3 columns 9x7, 9x9, 10x8. 12x10 12x10 [1 to 2 steps] 16 x 12. 16 x 16 [1 step] 24 x 24, 16x16 [1-decker] 24x18. 24x24, 32x24, 32x24 24x24, 32x24 . 32x32 32x32
Number of registered messages	Maximum number of characters for message registration: 4096
Number of characters for message registration	Maximum number of registered messages 999 messages
Date time (expiration date) Printing function	Year (AD, Era name), date, day of the week, time (12/24 hour system), date throughout the year, week number throughout the year, month upper/mid/late (variable period setting), AM / PM, shift code, characterCharacter assignment function (year, month, date, hour, minute, second, day of the week) to another character up to 4 to 15 digits
Numbering function	Up to 10 digits, optional initial value setting, up/down, carry of digit (1 count can be set in 1 to 999 workpieces), zero suppress function (replace or prepend upper digits with spaces), numbering character assignment function (assignable to characters other than digits), decimal setting (2 digits) Zero suppress function (replace or prepend zeros in upper digits with spaces), numbering character assignment function (assignment to characters other than numbers), number base setting (2 to 36) Segmentation possible (insert any character between numbers)
Distance printing function	Up to 10 digits, divisible (any character can be inserted between digits)
Barcode printing function	ITF Barcode printing function ITF, Code39, NW7, JAN Code128 · CODE93 CODE93 · UPC - A / E
2-D code printing function	2-D code printing function QR code, Data Matrix
External connection	I/O, signal light, RS-232C, LAN, encoder, UPS LAN, encoder, UPS, USB memory
Data input	Touch panel, RS-232C communication, Ethernet Ethernet
Communication function	RS-232C 1CH, max. 115,200 bps, Ethernet Ethernet
Head cable length	Length 3.5 m
Multi-control	Up to 16 slave units can be controlled for each master unit. Control functions: Run/Stop, power off, system clock setting, message selection, print content editing, numbering current value setting
Dry air source	No dry air source required
Installation area (W x D x H)	Main unit: 400W x 385D x 550D x 550D 400W x 385D x 577H ( Excluding protrusion ) Head: Φ50mm x 222mm
Operating environment (temperature, humidity)	0 - 40 °C (depending on ink type), 10 - 85% (no condensation)
Power supply	AC90 - 264V ( 47 - 63Hz ), 95W
Weight	27 Kg
Grounding	D type grounding

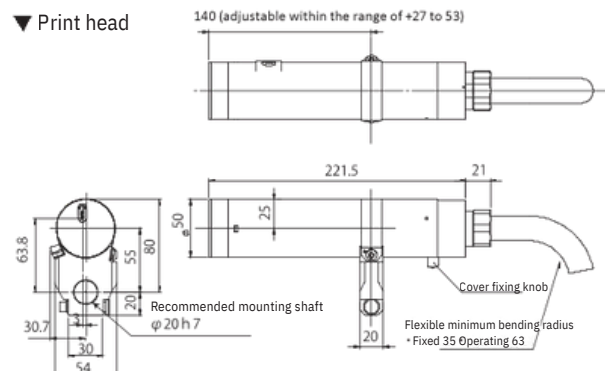
## ● Dimensions

### ▼ Main unit



Note: A predetermined space is required around the installation site of the main unit. Please contact us for details.

### ▼ Print head



Products are subject to change without notice.